

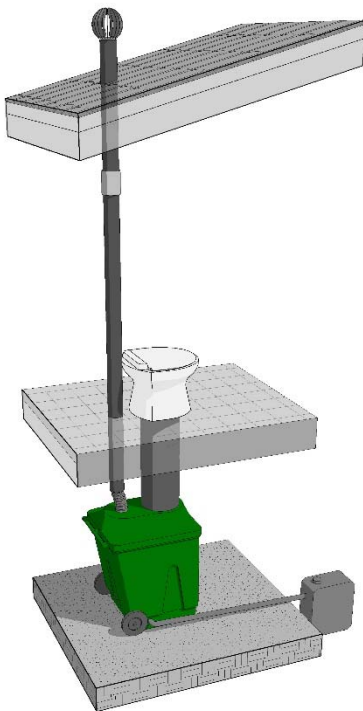
GREEN TOILET LUX MANUAL FOR INSTALLATION AND USE

Congratulations for your new, ecological dry toilet! Green Toilet Lux is an eco toilet that is easy and pleasant to use and service. It is durable and will serve you for many years to come.

Contents of the package:

- porcelain pedestal (non-separating / urine separating) with a seat and a lid
- Green Toilet composting dry toilet and a spare container (330 / 120 l)
- ventilation pipes 3 pcs x 100 cm, joints 2 pcs, metal fixtures 3 pcs, screws
- flexible pipe 50 cm
- ventilation pipe hat
- a canister and a liquid hose 150 cm (with urine separating pedestal 2 pcs of each)
- electrical duct fan (can be replaced with a wind fan)
- waste pipe (diam. 20 cm) length 100 cm (also longer/shorter ones available by order)
- bag of dry material

An example of a basic installation of Green Toilet Lux



It is important to make sure that the waste pipe goes straight vertically down from the pedestal.

The electrical duct fan can be installed anywhere in the ventilation line. The fan is protected against dripping water, so it can be placed outdoors (classification IPX2). However, the fan will last longer if it is installed in a dry space.

The ventilation pipe can also be led out through a wall and curves are allowed. If you are using the electrical duct fan, only a ventilation pipe hat is needed on the top to prevent the rain to flow in (included in the package)

If there is no electricity available, then a wind fan is a necessity and the ventilation pipe should go up as straight and up as possible and making any curves to the line should be avoided.

The seap liquid, ie. the excess liquid that comes out of the composting unit, can be led to a canister or to a GeoTrap Dry Toilet Filter.

Assembly of the porcelain seat

Measure carefully the place for the porcelain pedestal in the toilet and where the hole for the waste pipe will be. Check possible floor structures that can not be cut before cutting the hole.

When you have measured the right place, make a hole of 210 mm to the floor. Lead the waste pipe through the hole so that about 5.5 cm is above the floor level.



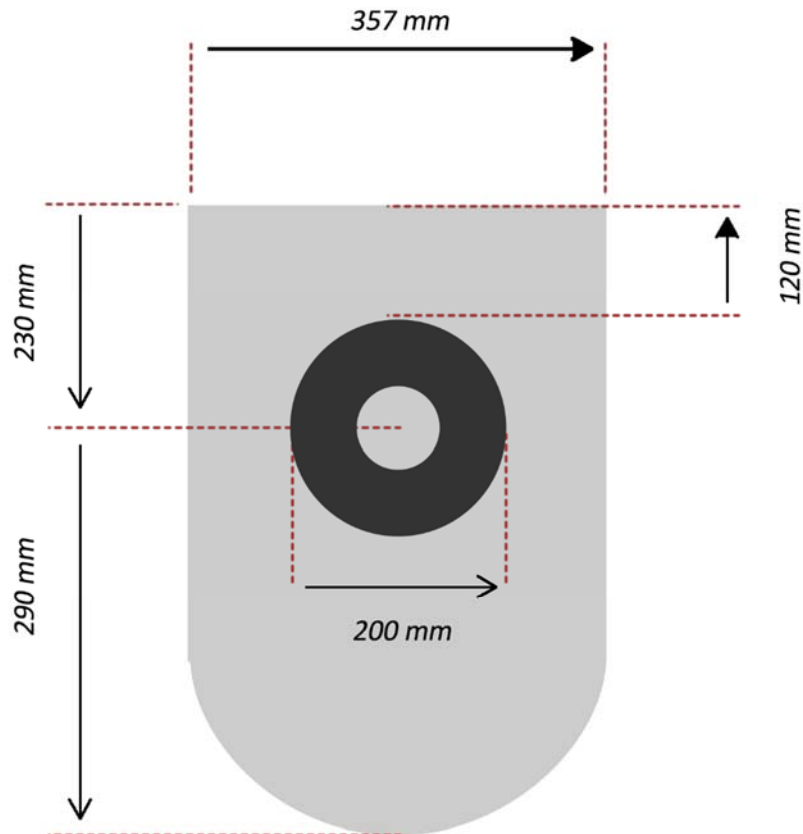
Assembly of the non-separating pedestal

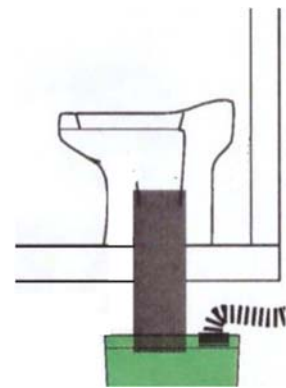
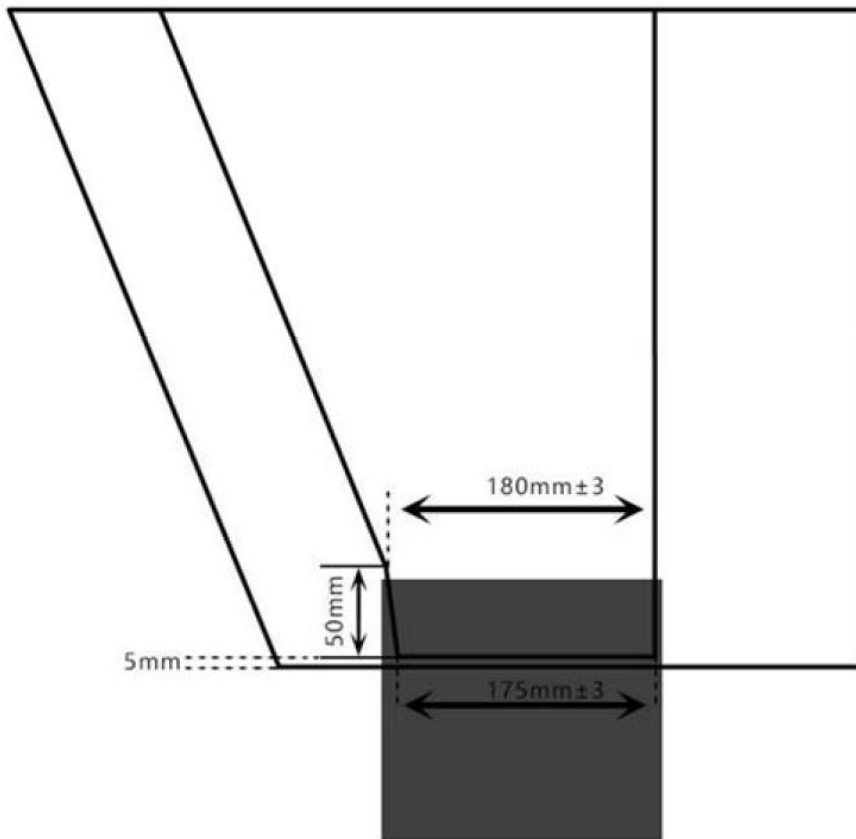
Place the pedestal above the waste pipe so that the porcelain shaft goes into the black pipe tightly. Lift the black pipe upwards, if necessary. No gasket is needed.

If you prefer, you can fix the pedestal to the floor with silicone mass. Fix the black pipe to the right height either from upper or the lower side of the floor. The waste pipe should go some 5-10 cm into the composting unit.

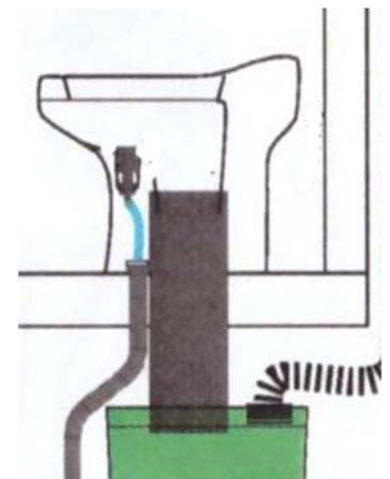


Porcelain pedestal Oslo non-separating base measurements





Assembly of the urine separating pedestal



When you have measured the right place, make a hole of 210 mm to the floor. Lead the waste pipe through the hole so that about 17 cm is above the floor level.

The black waste pipe (diam 20 mm) is assembled as described above. For the separating pedestal, you will also need make an extra hole of about 30 mm for the liquid hose on the front side (see the up-right picture)

Green Toilet LUX®

The liquid hose is attached to the urine bowl and led down to a canister or to a filter (not included in the package).



There are more detailed instructions for assembly of the urine-separating pedestal included inside the pedestal package.

Assembly of the Green Toilet composting unit

Cover the double base of the Green Toilet with some organic, dry material: peat moss, saw dust, agricultural chopped waste etc. The layer should be about 10 cm to give a good start to the composting process. Put the double base into the container which will come into use first.



Place the composting unit with the open lid below the waste pipe.

Connect the black liquid hose to the outlet in the lower front of the Green Toilet and the other end to the canister (or filter).

The liquid hose should lead at least a bit downwards so that the excess liquid can flow out of the container.

Green Toilet LUX®

Make suitable outlet through the wall or the roof for the ventilation pipe. Preferably, install the duct fan to a dry place. **It should be always on** to ensure the right air flow at all circumstances. The fan has three power levels to accommodate different use cases. In many cases the lowest speed level (1) is enough in domestic use.



The waste shaft can come about 2-8 cm inside the Green Toilet composting unit. If the waste pipe is too long, it can be cut shorter by saw.



Use and service of Green Toilet Lux

The use of Green Toilet Lux is simple: you can use it just like the water toilet, but without flushing. All toilet waste, together with the toilet paper goes down into the same composting container. Please note, that any hygiene products that contain plastic should be put into a separate waste bin. They will not compost and should therefore go with other household waste.

Dry material can be added either after every use, 1-2 dl (one cup) or as separately, once or twice a week eg. one bucket (10 l).

The porcelain seat can be washed with water and biodegradable detergent. You can pour water from a watering can and use normal toilet brush.

You can also use bidet with Green Toilet Lux for personal hygiene. Please note, that if you use the bidet a lot, it is good to add more dry material to the compost.

Depending on the level of use, it is good to check the liquid canister 1-4 times a month. The seap liquid can be used directly as fertilizer to non-eatable plants, bushes and trees. When using the seap liquid, make sure that it cannot get to any water body: well, pond, ditch, sea or lake.

Green Toilet LUX®

When the first composting container gets full, it is time for change. However, before you change to a new container, it is good to level and stir the compost. Many times this will postpone the need for the change as the composting process is usually at its best when there is a lot of biomass in the container. So do not hurry too early – let the compost work for you!

When you do the change, first take the liquid hose out of the container, and lift the end up so no liquid is spilled. Lift the lid of the Green Toilet container so that you can pull the container out by using the wheels. Then, put the closed lid onto the full container and take it to a suitable place to decompose. The best place would be a warm, sunny side of the yard to maximize the power of sunlight.

Fill the double bottom of the empty container with a layer of dry material. Place the container under the waste shaft and close with the lid. The use of Green Toilet Lux can continue again!

When you make the next change of the container, the compost mass in the first Green Toilet is probably ready to be used in the garden. The compost is usually very nutritious, so it is a good idea to mix it with soil or sand before applying to plants. Or – you can use it just small amounts and spread widely in the garden. When the biomass is fully composted, after about 8-12 months, there is no fear of pathogens, it can be used anywhere to fertilize and treat the soil.

The capacity of Green Toilet Lux system can easily be grown by acquiring more spare containers, if needed.

Green Toilet Lux Warranty

Warranty for the containers and the porcelain pedestal: 10 years, other parts 2 years from the purchase date. The warranty applies to a domestic use, not public or commercial use.

Manufacturer: Pikkuvihreä - Meripalo Oy

Country of origin: Finland

Address: Vanha Ahteentaantie 1 21140 Rymättylä FINLAND

tel. +358- 2-242 1089 · sales@pikkuvihrea.fi · www.pikkuvihrea.fi