



MANUAL FOR INSTALLATION AND USE



GREEN TOILET
Lux



CONGRATULATIONS FOR YOUR NEW, ECOLOGICAL DRY TOILET!

Green Toilet Lux is an composting toilet that is easy and pleasant to use and service. It is durable and will serve you for many years to come.

PACKAGE CONTENT



porcelain pedestal
(non-separating / urine separating)
with a seat and a lid



Green Toilet composting container and a spare container (330 / 120 liters)



ventilation pipes 3 pcs x 100 cm, joints 2 pcs, metal fixtures 3 pcs, screws



flexible pipes 50 cm, 2 pcs



ventilation pipe hat
(or a wind fan as an option)



canister and liquid hose
150 cm (with urine separating pedestal 2 pcs of each)



electrical duct fan
(can be replaced with a wind fan)



waste pipe Ø 200 mm, length 100 cm (also longer/shorter ones available by order)



bag of dry material

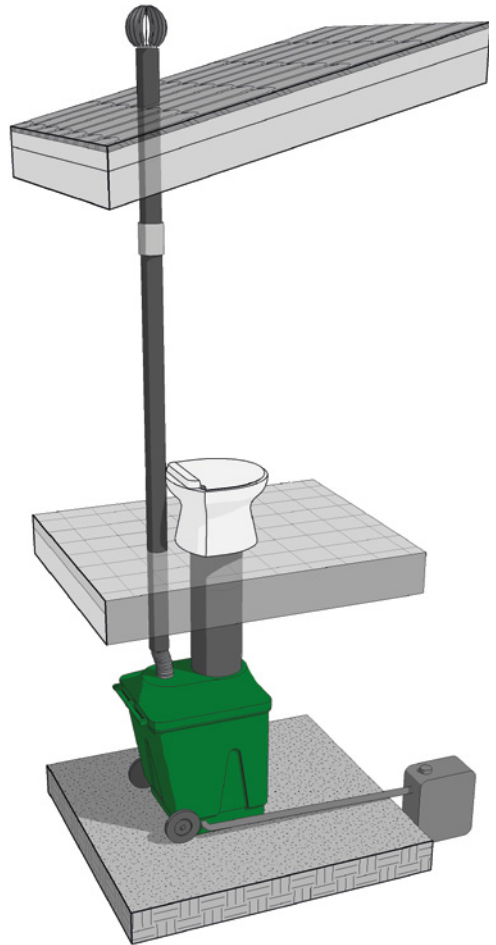
EXAMPLE OF BASIC INSTALLATION OF GREEN TOILET LUX

Green Toilet Lux is installed on two levels: The porcelain pedestal is placed to the bathroom and the Green Toilet composting unit below the floor level to a cellar or outside to the basement. It is important to ensure that the waste pipe goes straight vertically down from the pedestal.

The ventilation is led from the composting unit outside to the roof level. The electrical duct fan can be installed anywhere in the ventilation line. The fan is protected against dripping water, so it can be placed outdoors (classification IPX2). However, the fan will last longer if it is installed into a dry space. The ventilation pipe can also be led out through a wall and curves are allowed. If you are using the electrical duct fan, only a ventilation pipe hat is needed on the top to prevent the rain to flow in (included in the package).

If there is no electricity available, then a wind fan is highly recommended, and the ventilation pipe should go up as straight as possible without making any curves.

The seap liquid, ie. the excess liquid that comes out of the composting unit, can be led to a canister or to a GeoTrap Dry Toilet Filter.



We're here to help!

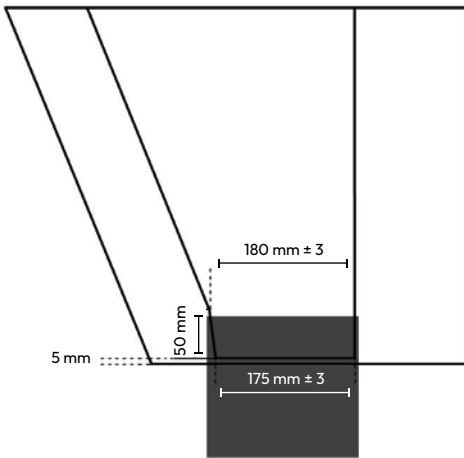
Contact us if you have any questions about the installation of Green Toilet Lux. You can also send us pictures of the installation site. We are happy to advise on the right implementation.

tel. +358 50 442 4775 / info@greentoilet.fi

ASSEMBLY OF THE NON-SEPARATING PORCELAIN PEDESTAL

Measure carefully the place for the porcelain pedestal in the bathroom and where the hole for the waste pipe will be. Check possible floor structures before cutting the hole.

When you have measured the right place, make a hole of 210 mm to the floor. Lead the waste pipe through the hole so that about 5.5 cm is above the floor level. If the hole for the pipe is loose, add insulation material.



Place the pedestal above the waste pipe so that the porcelain shaft goes into the black pipe tightly. Lift the black pipe upwards, if necessary. No additional or silicone gasket is needed.

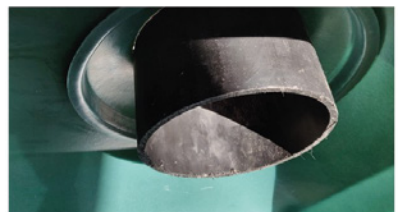
There are fixtures for the porcelain pedestal for fixing it to the floor included in the package. Those can be used if the floor is made out of wood. Alternatively, you can fix the pedestal to the floor with silicone mass.

Place the black waste pipe to the right height and attach it with screws either from upper or the lower side of the floor. The waste pipe should go some 5-10 cm into the composting unit.

In the end of this manual you will find instructions for fixing the seat to the porcelain.



The shaft should come 2-8 cm into the composting unit.



ASSEMBLY OF THE URINE SEPARATING PEDESTAL

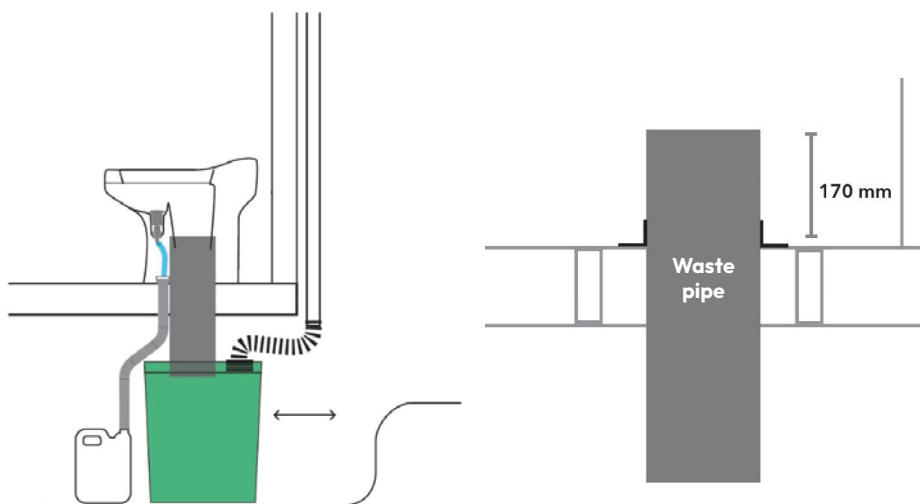
When you have measured the right place for the pedestal, make a hole of 210 mm to the floor. Lead the waste pipe through the hole so that about 17 cm is above the floor level.



The black waste pipe (diam 20 mm) is assembled as described above. For the separating pedestal, you will also need make an extra hole of about 30 mm for the liquid hose (Ø 25 mm) on the front side.

The liquid hose is attached to the urine bowl and led down to a canister or to a dry toilet filter (not included in the package).

There are more detailed instructions for assembly of the urine-separating pedestal included inside the pedestal package.



ASSEMBLY OF THE GREEN TOILET COMPOSTING UNIT



First, cover the double base of the Green Toilet with some organic, dry material: peat moss, saw dust, agricultural chopped waste etc.

The layer should be about 10-15 cm to give a good start for the composting process. Place the double base into the container which will come into use first.

Place the composting unit with the open lid below the waste pipe as described earlier.

Connect the black liquid hose to the outlet in the lower front of the Green Toilet and the other end to the canister (or a filter).

Make a suitable outlet through the wall or the roof for the ventilation pipe. The flexible part of the ventilation kit should be the first part connected to the container. Thus, it can be easily removed when servicing the containers.

Preferably, install the duct fan to a dry place. **It should be always on** to ensure the right air flow at all circumstances. The fan has three power levels to accommodate different use cases. In many cases the lowest speed level (1) is enough in domestic use.





The liquid hose should lead at least a bit downwards so that the excess liquid can flow out of the composting unit.

Sometimes the Green Toilet container has to be placed on a small platform to get the liquid flow downwards.

Attach the end of the hose to a canister or to a filter. If possible, a secure hole for the canister can be made.

USE AND MAINTENANCE OF GREEN TOILET LUX

The use of Green Toilet Lux is simple: you can use it just like the water toilet, but without flushing. All toilet waste, together with the toilet paper goes down into the same composting container. Please note, that any hygiene products that contain plastic should be put into a separate waste bin. They will not compost and should therefore go with the other household waste.

Dry material can be added either after every use, 1-2 dl (one cup) or as separately, once or twice a week eg. one bucket (10 l).



The porcelain seat can be washed with water and biodegradable detergent. You can pour water from a watering can and use normal toilet brush. You can also use bidet with Green Toilet Lux for personal hygiene. Please note, that if you use the bidet a lot, it is good to add more dry material to the compost.

Depending on the level of use, it is good to check the liquid canister 1-4 times a month. The seap liquid can be used directly as fertilizer to non-eatable plants, bushes and trees. When using the seap liquid, make sure that it cannot get to any water body: well, bond, ditch, sea or lake.

When the first composting container gets full, it is time to change the container. However, before you change to a new container, it is good to level and stir the active compost in use. Many times, this will postpone the need for the change as the composting process is usually at its best when there is a lot of biomass in the container. So do not hurry too early – let the compost work for you!

When you do the change, first take the liquid hose out of the container, and lift the end up so no liquid is spilled. Lift the lid of the Green Toilet container so that you can pull that out by using the wheels. Then, put the closed lid onto the full container and wheel it out to a suitable place to decompose. The best place would be a warm, sunny side of the yard to maximize the power of sunlight.

Fill the double bottom of the empty container with a layer of dry material. Place the container under the waste shaft and close with the lid. The use of Green Toilet Lux can continue again!

When you make the next change of the container, the compost mass in the first Green Toilet is probably ready to be used in the garden. The compost is usually very nutritious, so it is a good idea to mix it with soil or sand before applying to plants. Or – you can use it just small amounts and spread widely in the garden. When the biomass is fully composted, after about 8–14 months, there is no fear of pathogens, it can be used anywhere to fertilize and treat the soil.



Scalable

The capacity of Green Toilet Lux system can easily be grown by acquiring more spare containers.



Warranty for the containers and the porcelain pedestal: 10 years, other parts 2 years from the purchase date.

The warranty applies to a domestic use, not public or commercial use.



GREEN TOILET